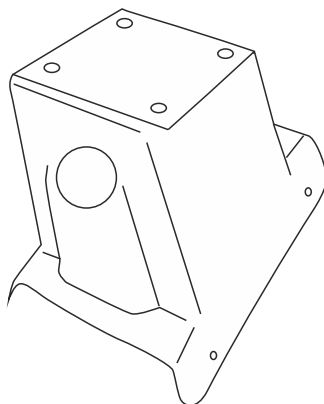
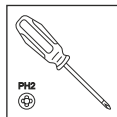
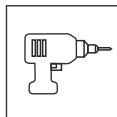
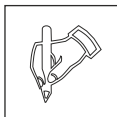
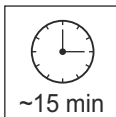


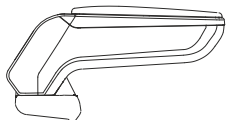


SMART FORFOUR 2014- +12V CABLE

For cars WITHOUT COOL Mediapacket



A



armster **S**

B



armster **2**

C



armster **3**

V01719



4x



St 4,8x16

1x



00368

1x



